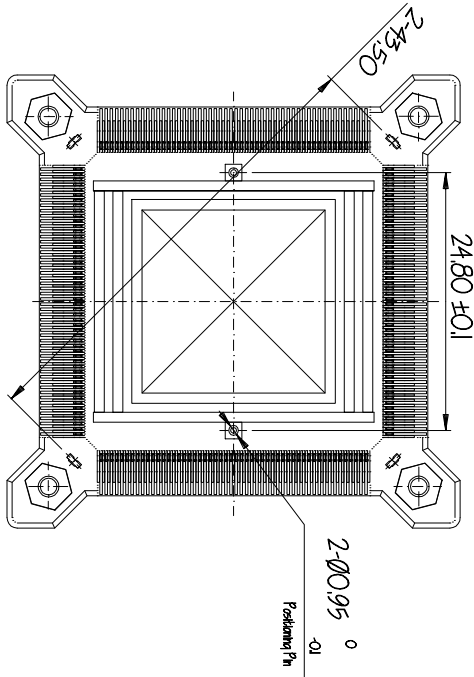
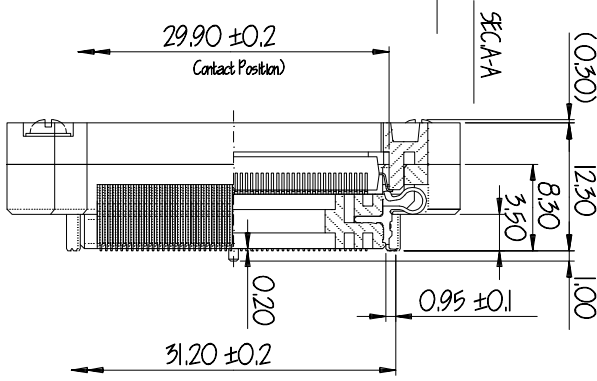
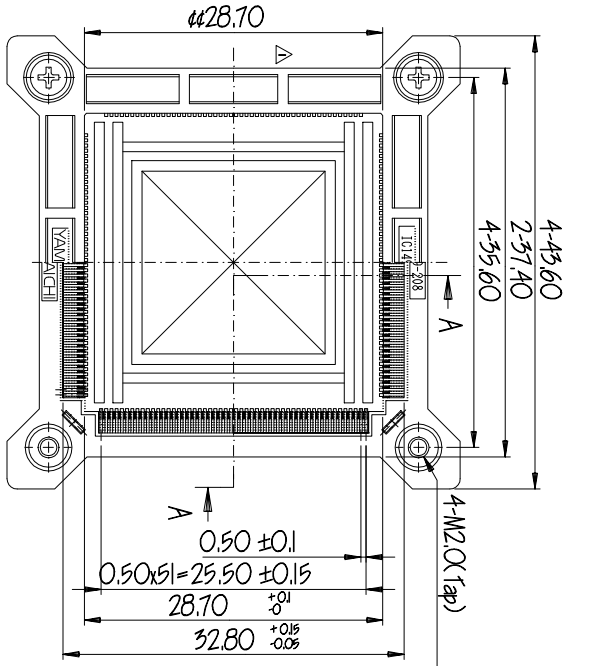


THE DRAWINGS AND INFORMATION CONTAINED HEREIN ARE THE EXCLUSIVE PROPERTY OF ACTEL. THE INFORMATION, DRAWINGS AND DESIGN CONCEPTS CONTAINED HEREIN ARE CONFIDENTIAL/PROPRIETARY. SHALL BE MAINTAINED IN STRICT CONFIDENCE, AND SHALL NOT BE RELEASED TO ANY THIRD PARTY WITHOUT THE EXPRESS WRITTEN PERMISSION OF ACTEL.

ECN NO.	REV.	DESCRIPTION OF CHANGE	EFFECTIVE DATE	ORIGINATOR
980379	0	Initial	12/15/98	Kuang



- Controlling dimensions are in millimeters.
- Yamachi Socket Part Number: IC149-208-161-55

ACTEL CONFIDENTIAL

UNLESS OTHERWISE SPECIFIED DIMENSIONS ARE IN MILLIMETERS		DECIMAL		ANGULAR	
X.X ± 0.10		X.XX ± 0.05		± 1°	
XXXX ± 0.03					
FINISH		SEE NOTES			
DO NOT SCALE DRAWING		SEE NOTES			
PROJECTION		DATE		TITLE	
APPROVALS		10/9/98		Yamachi P0208 Surface Mount Socket-w/alignment pin	
DRAWN R. Kuang				Yamachi	
CHECKED				ACTEL DWG. NUMBER 1-07-09027	
ENGR				REV 0	
RELEASED				REV 1	
ACTEL CORP 965 E ARQUES AVE SUNNYVALE CA 94086		ACTEL Part#: SY-P0208-2		SCALE: NONE	
SHEET 1 OF 2					