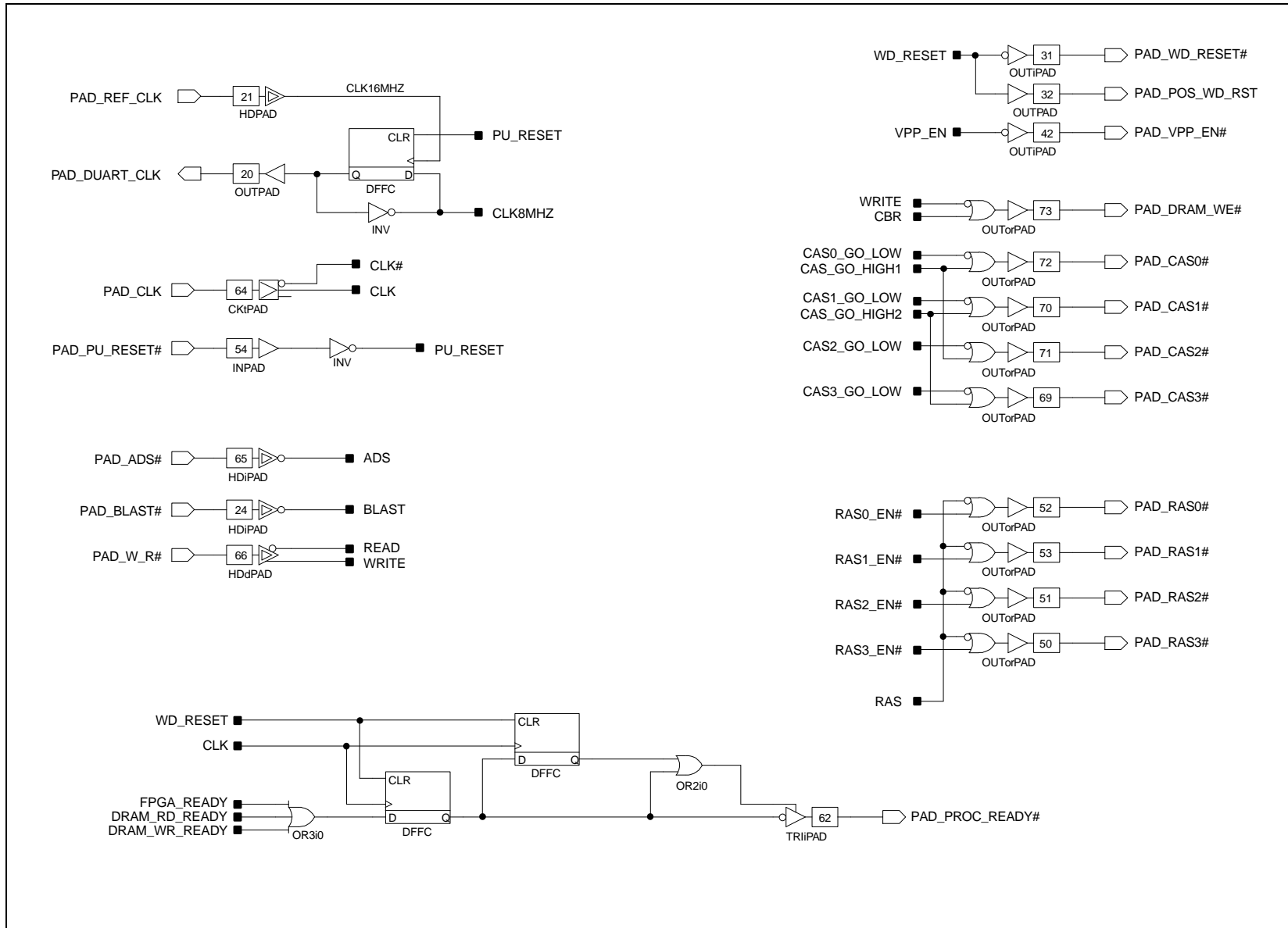
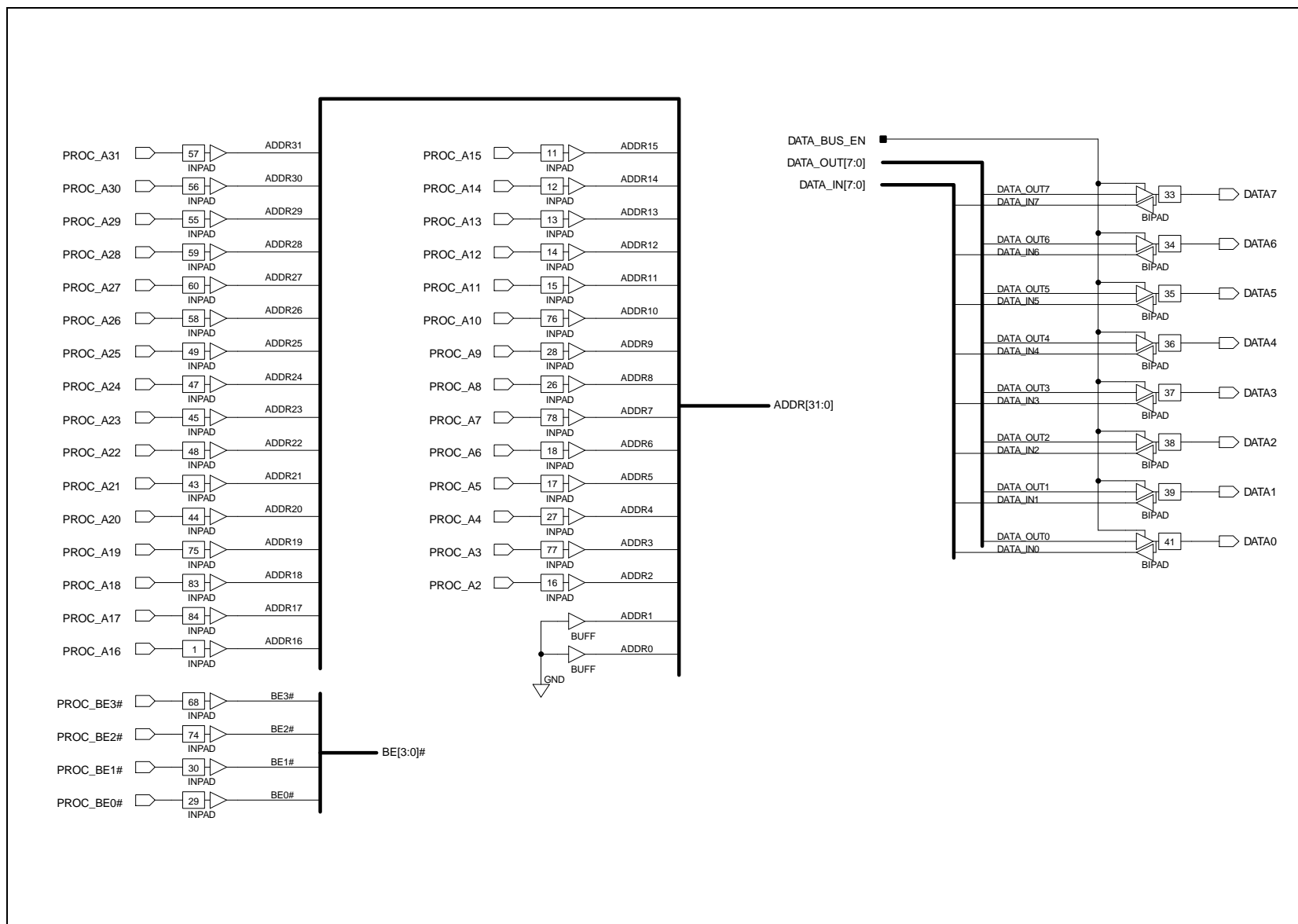


# DRAM CONTROLLER FPGA SCHEMATICS

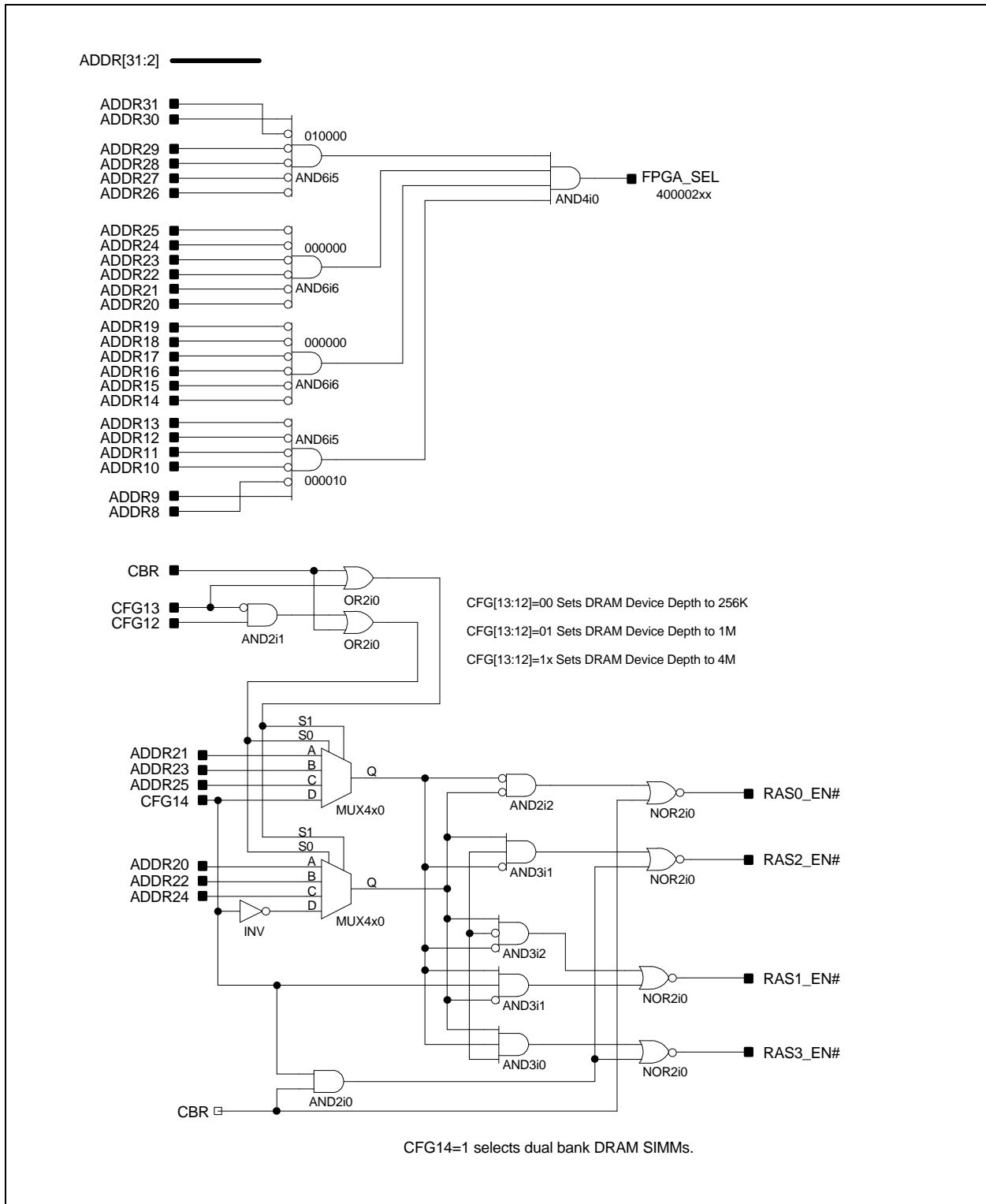




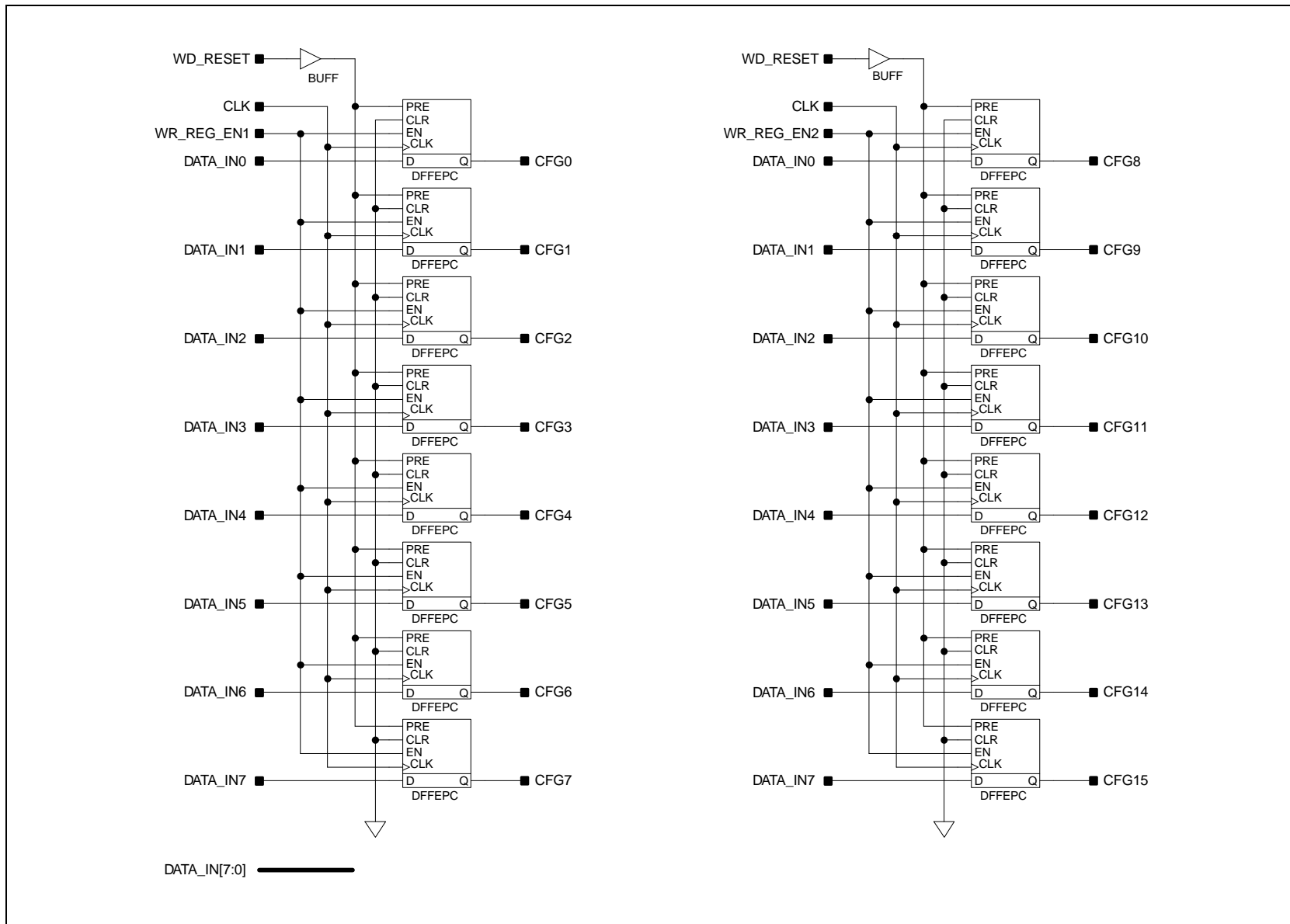
DRAM Controller FPGA Schematics—Sheet 1



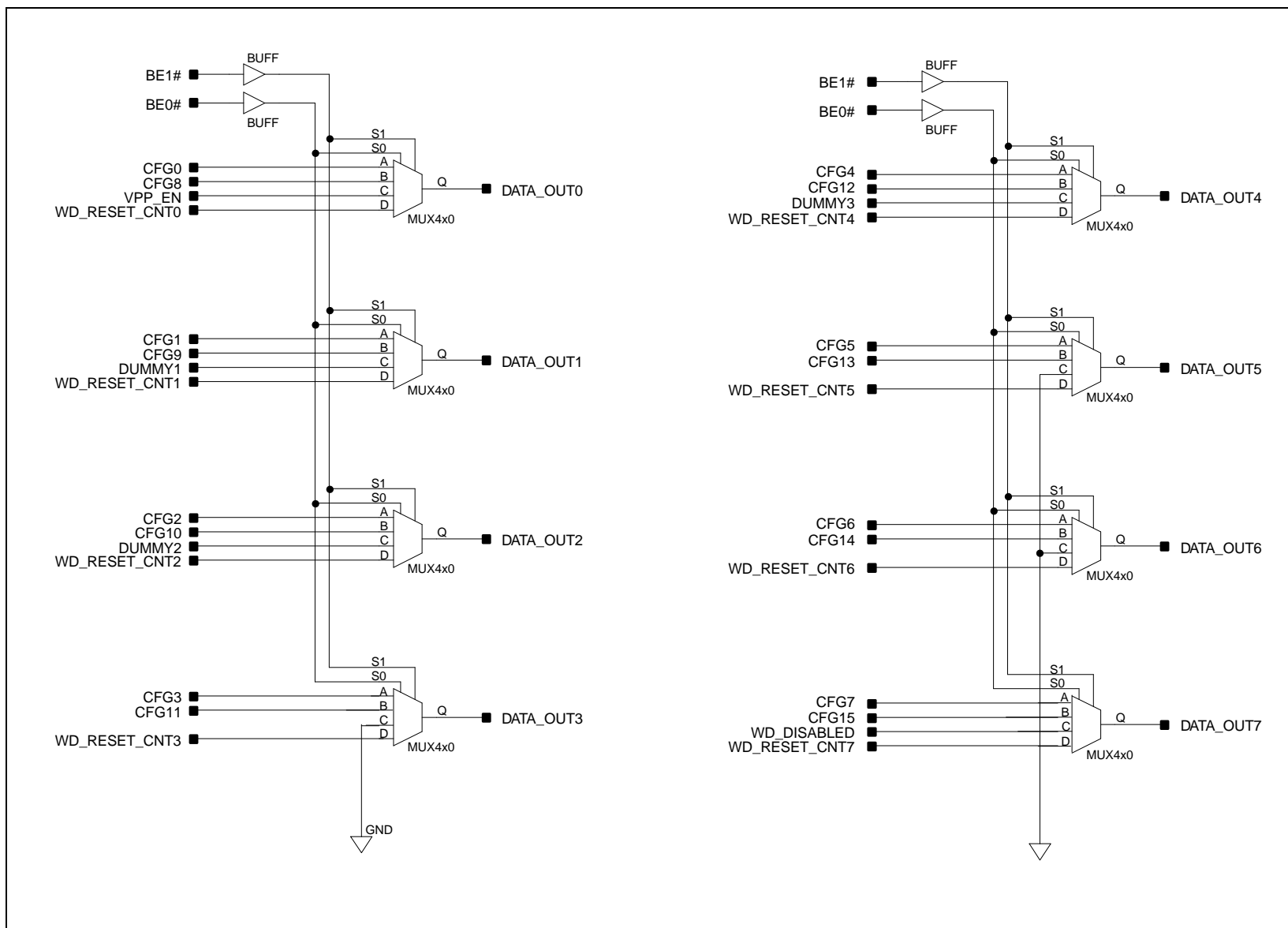
DRAM Controller FPGA Schematics—Sheet 2



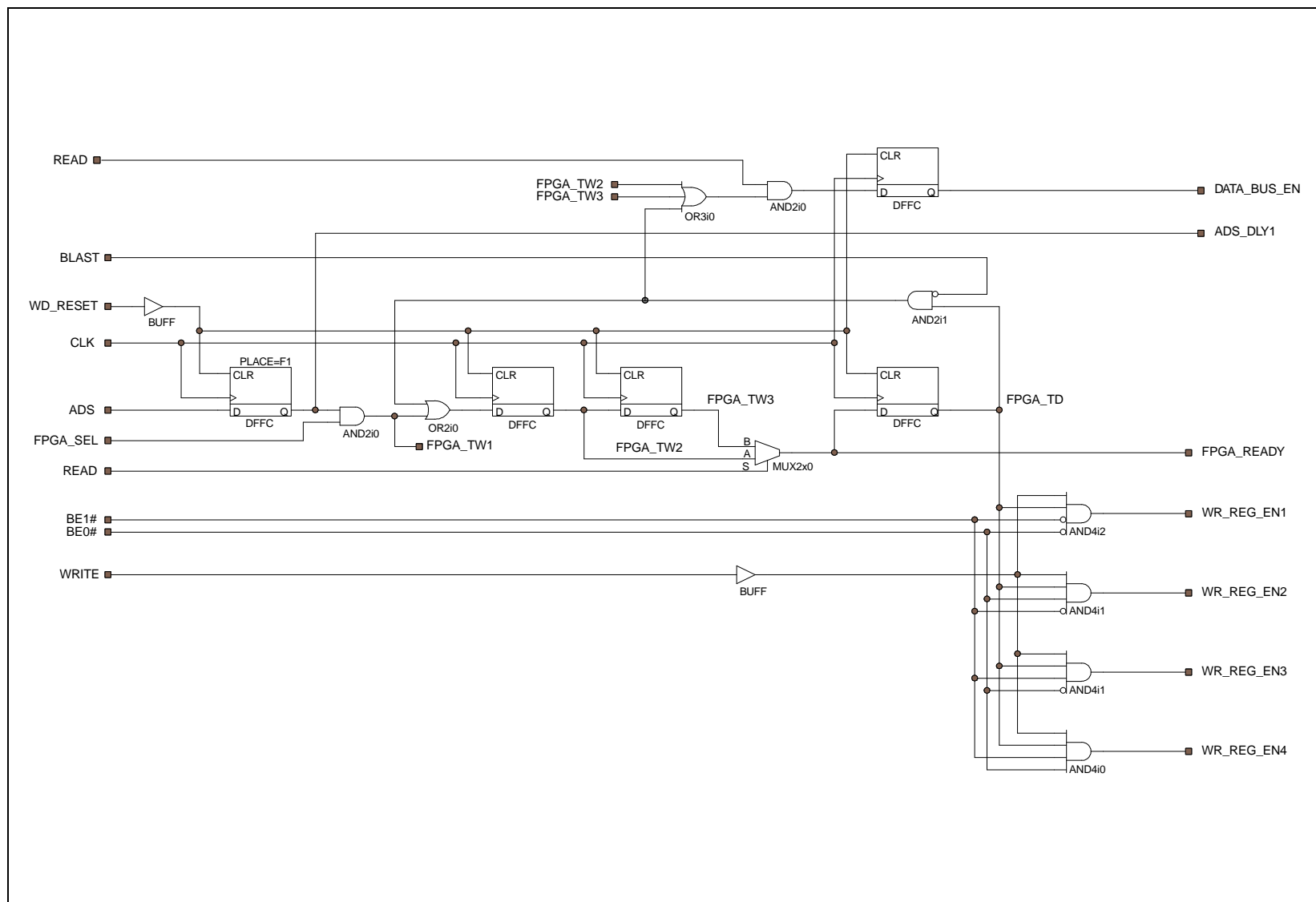
DRAM Controller FPGA Schematics—Sheet 3



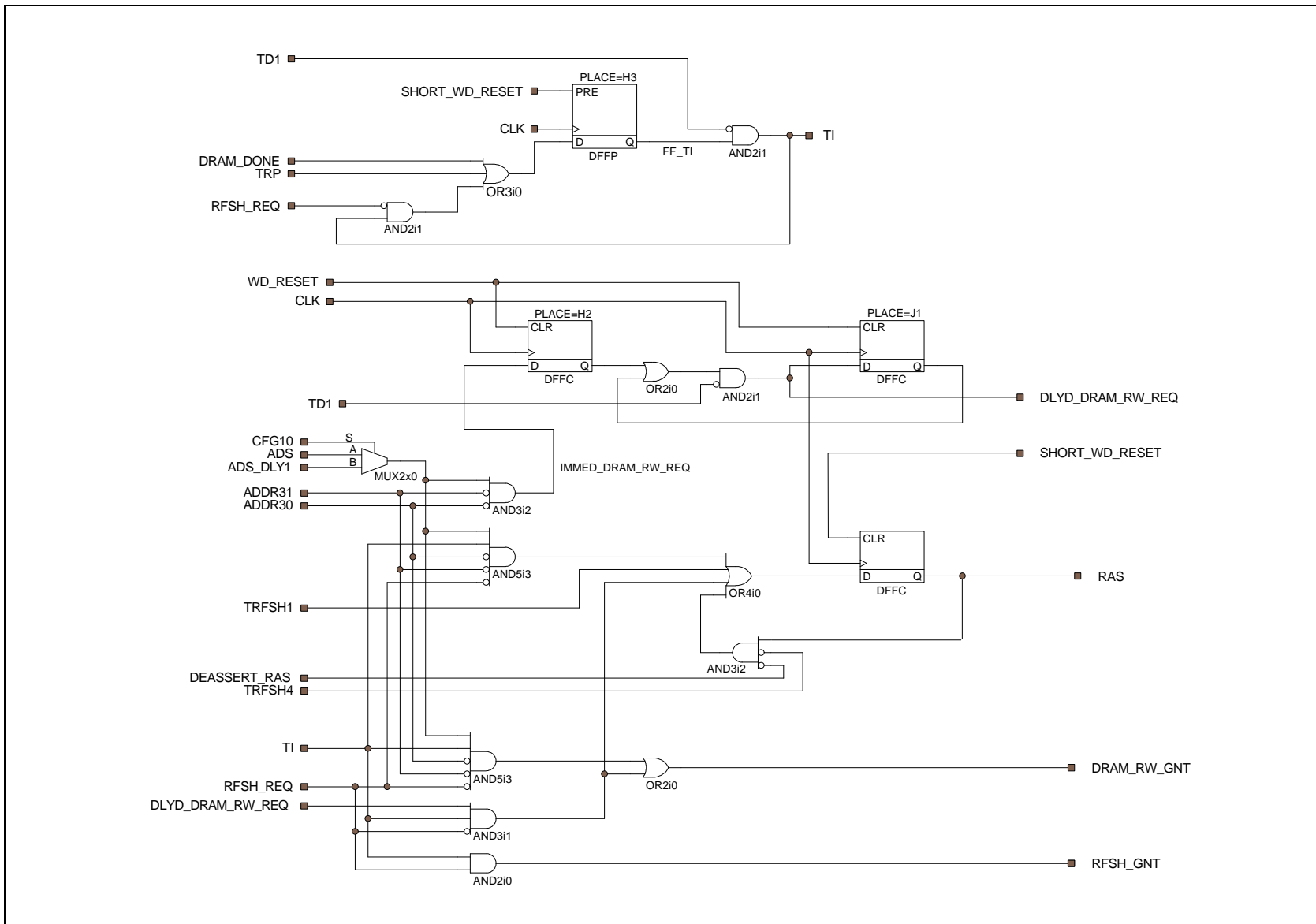
DRAM Controller FPGA Schematics—Sheet 4



DRAM Controller FPGA Schematics—Sheet 5

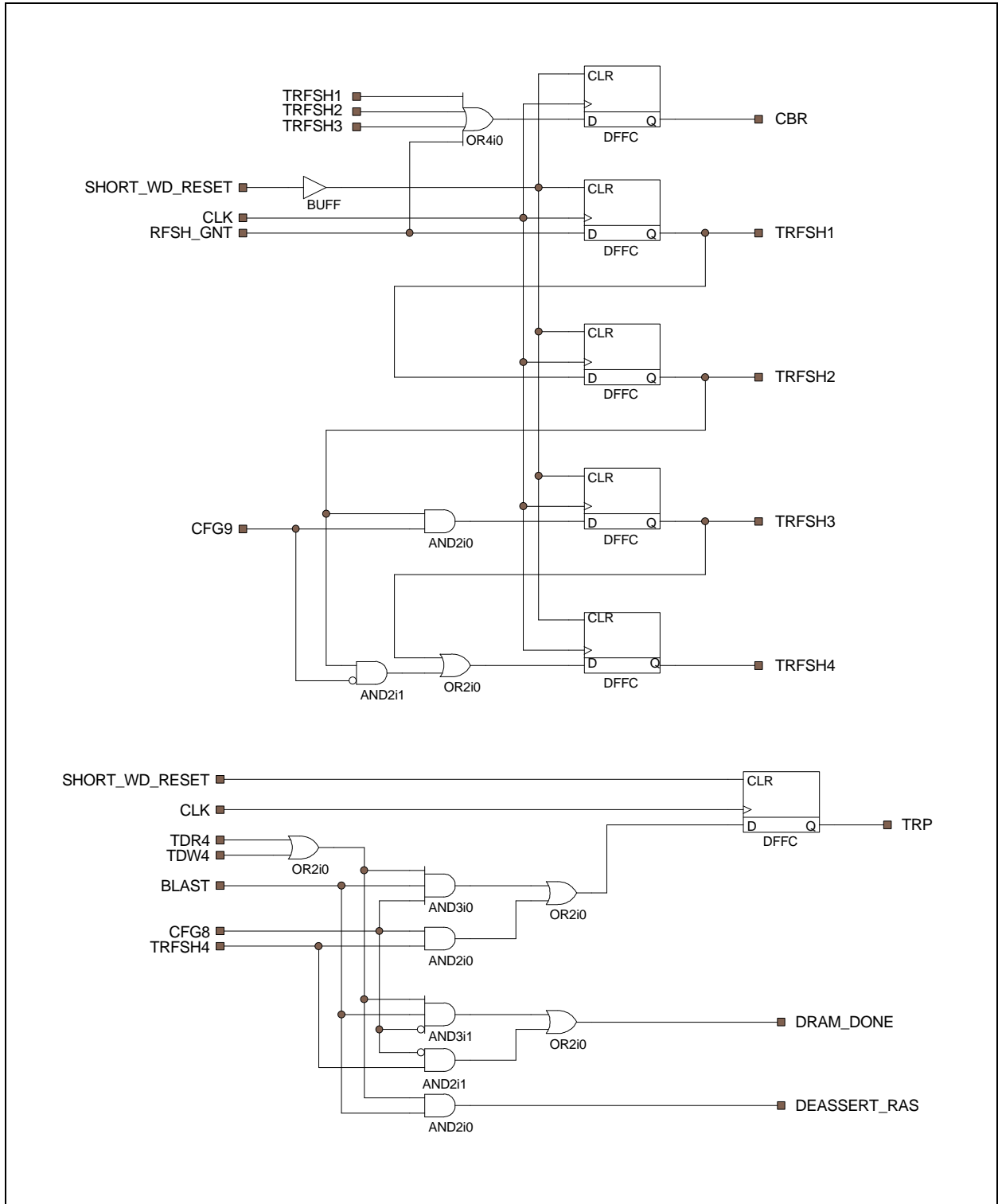


DRAM Controller FPGA Schematics—Sheet 6

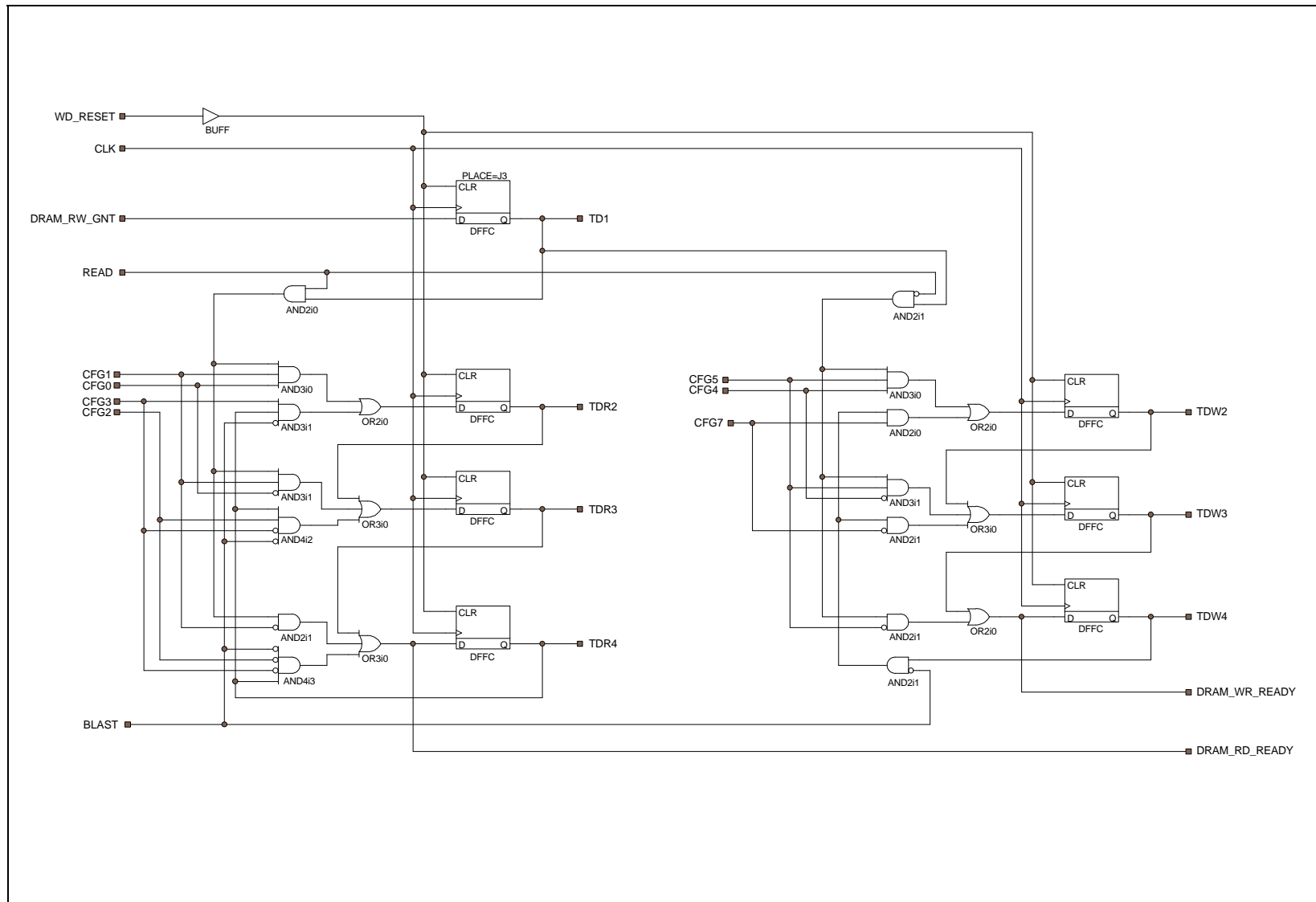


DRAM Controller FPGA Schematics—Sheet 7

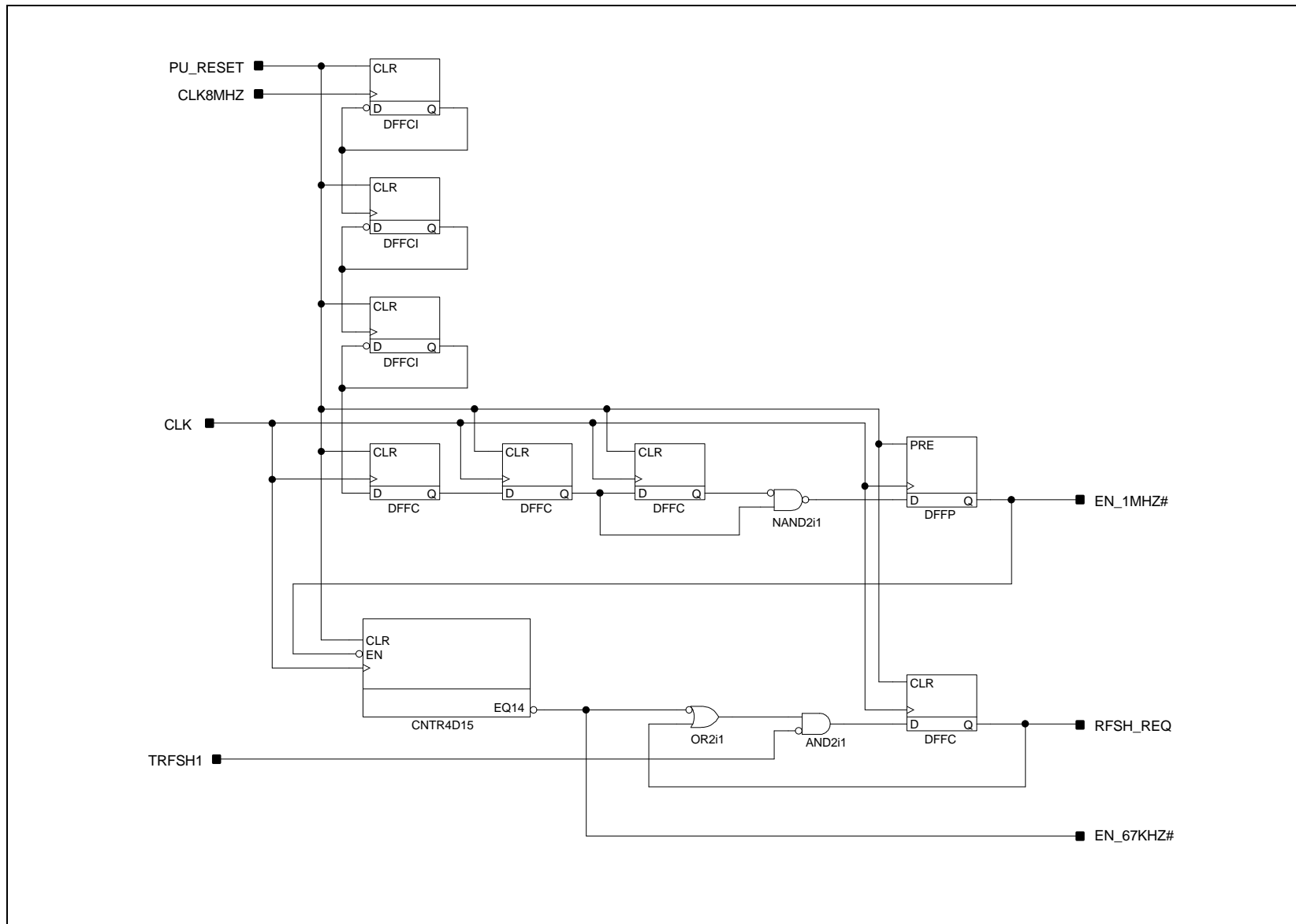




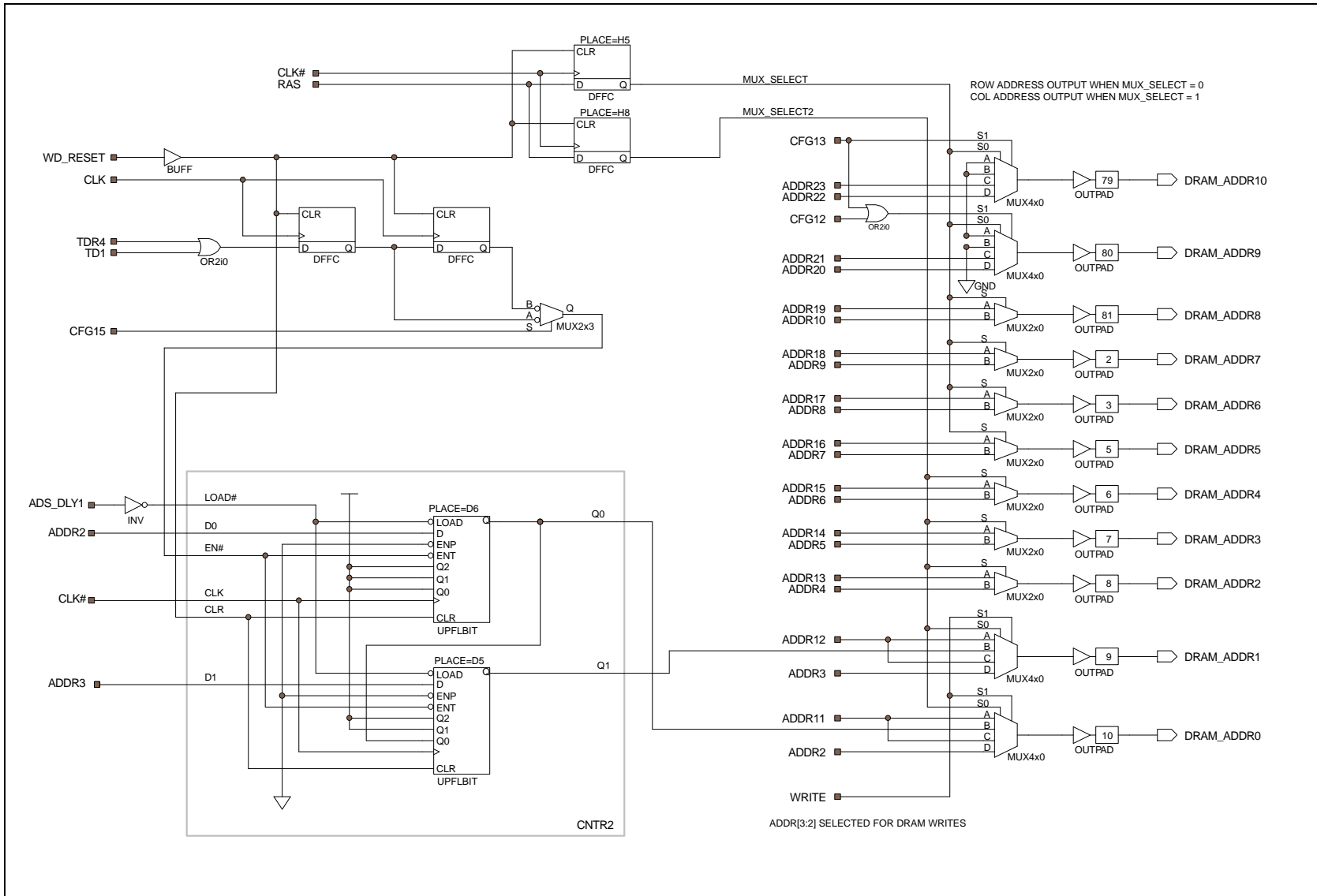
DRAM Controller FPGA Schematics—Sheet 8



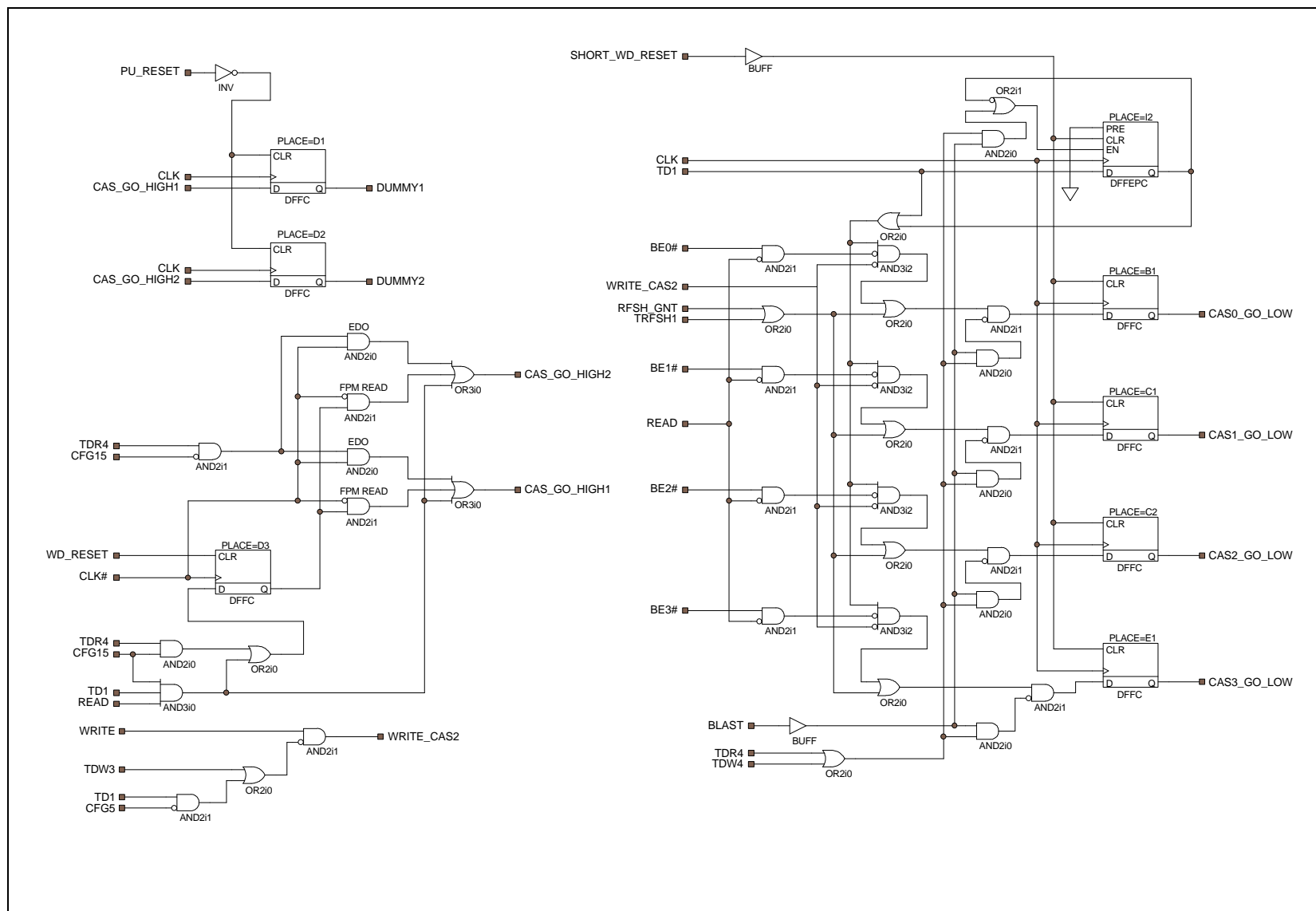
DRAM Controller FPGA Schematics—Sheet 9



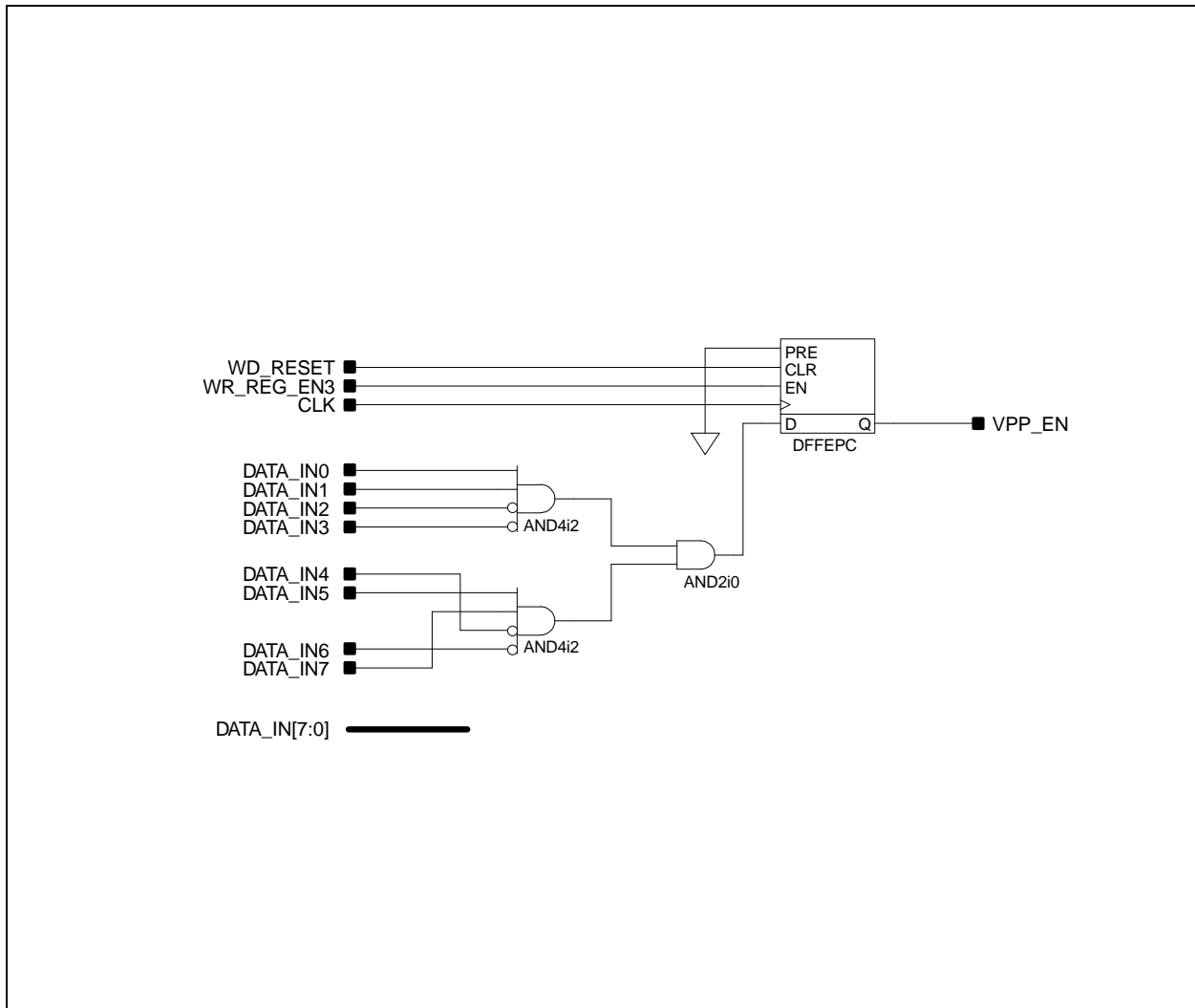
DRAM Controller FPGA Schematics—Sheet 10



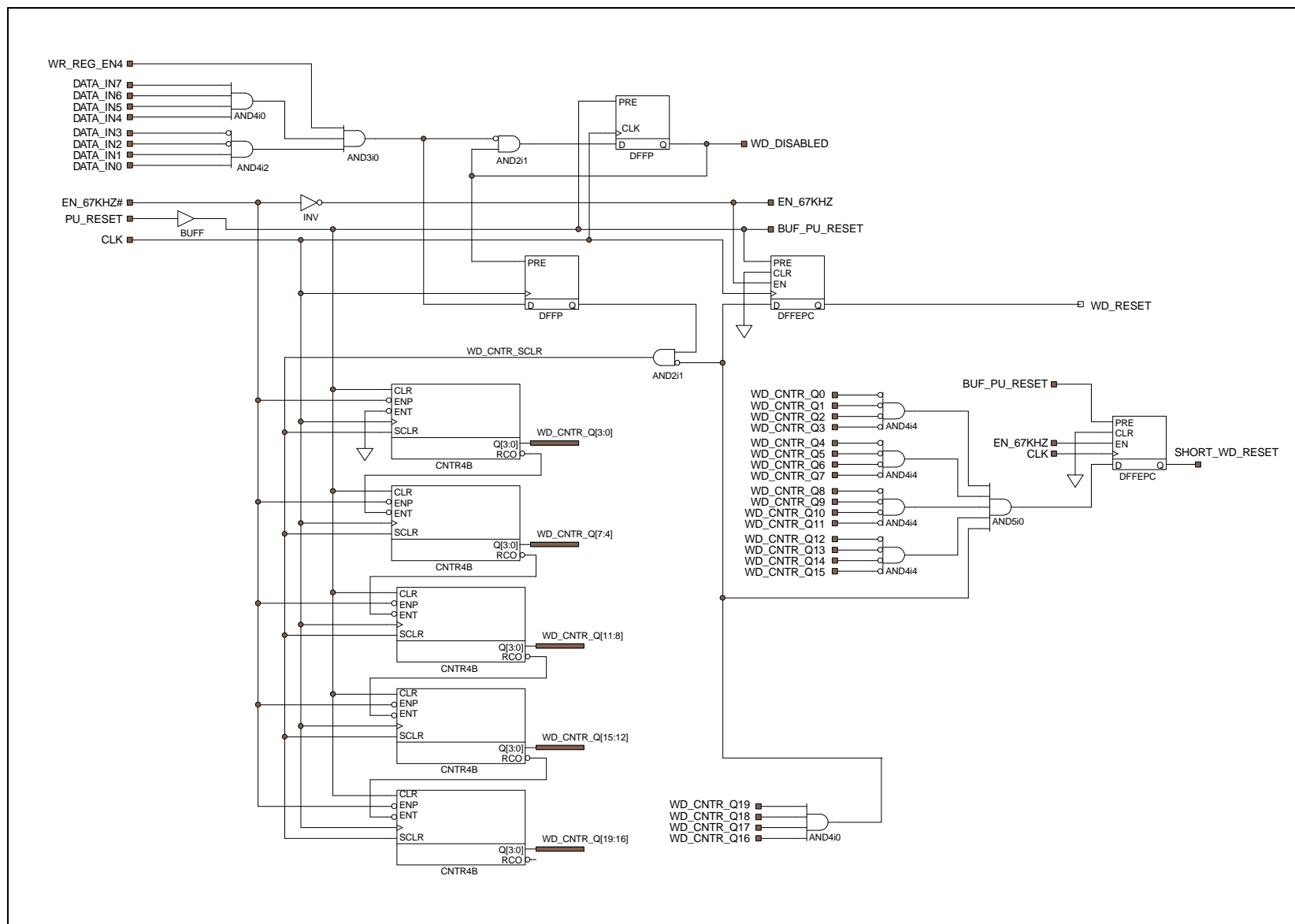
DRAM Controller FPGA Schematics—Sheet 11



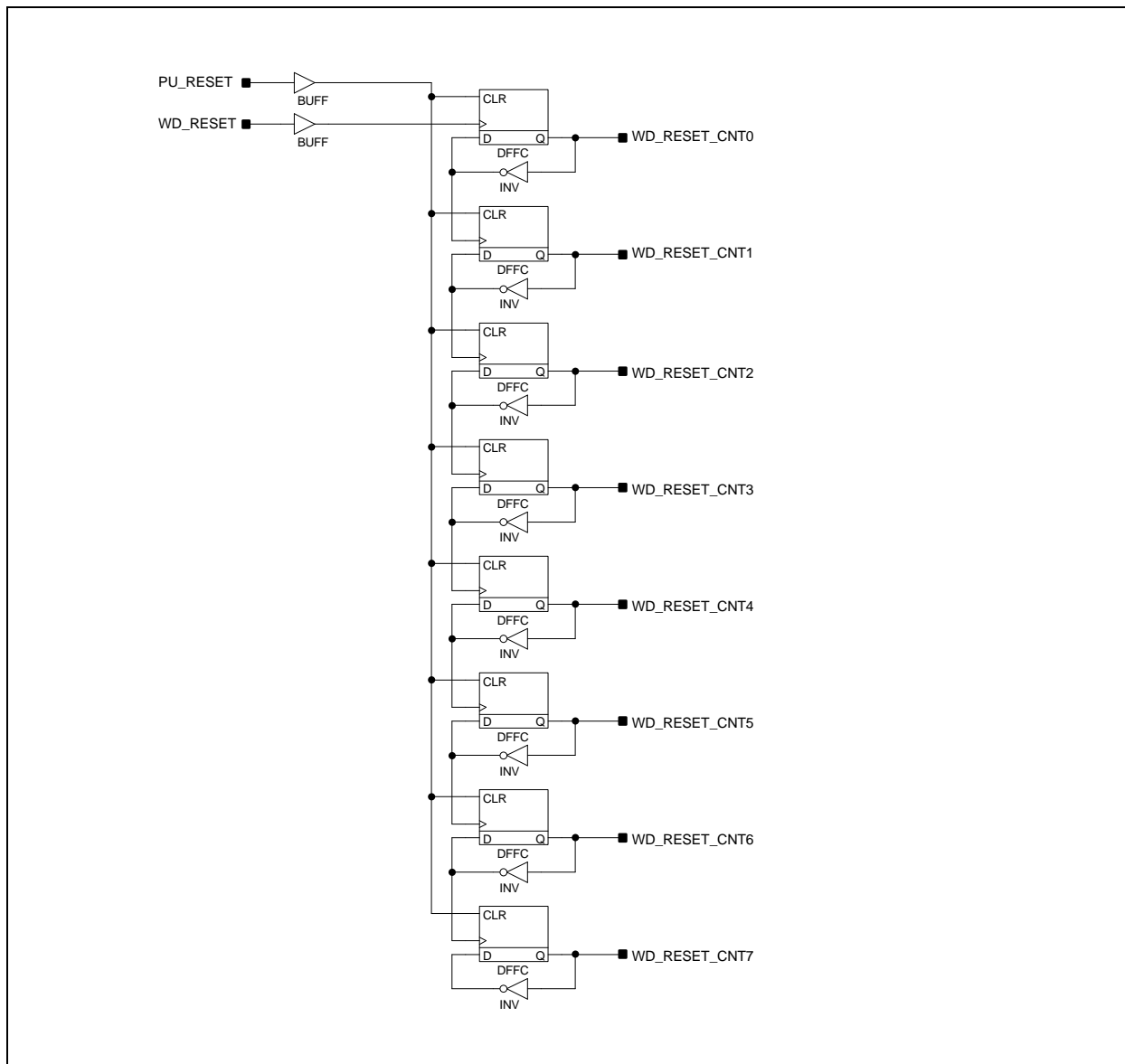
DRAM Controller FPGA Schematics—Sheet 12



DRAM Controller FPGA Schematics—Sheet 13

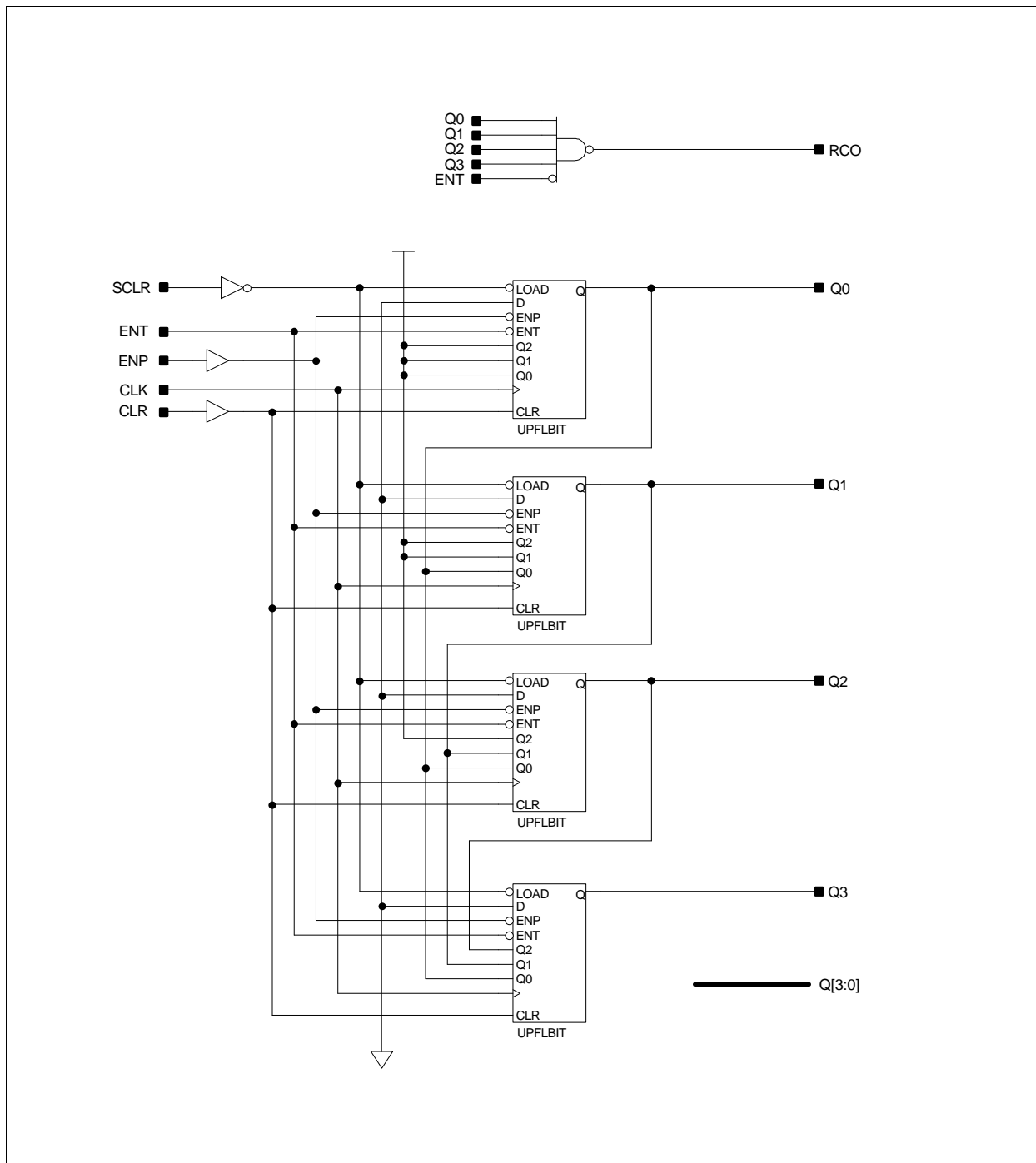


DRAM Controller FPGA Schematics—Sheet 14

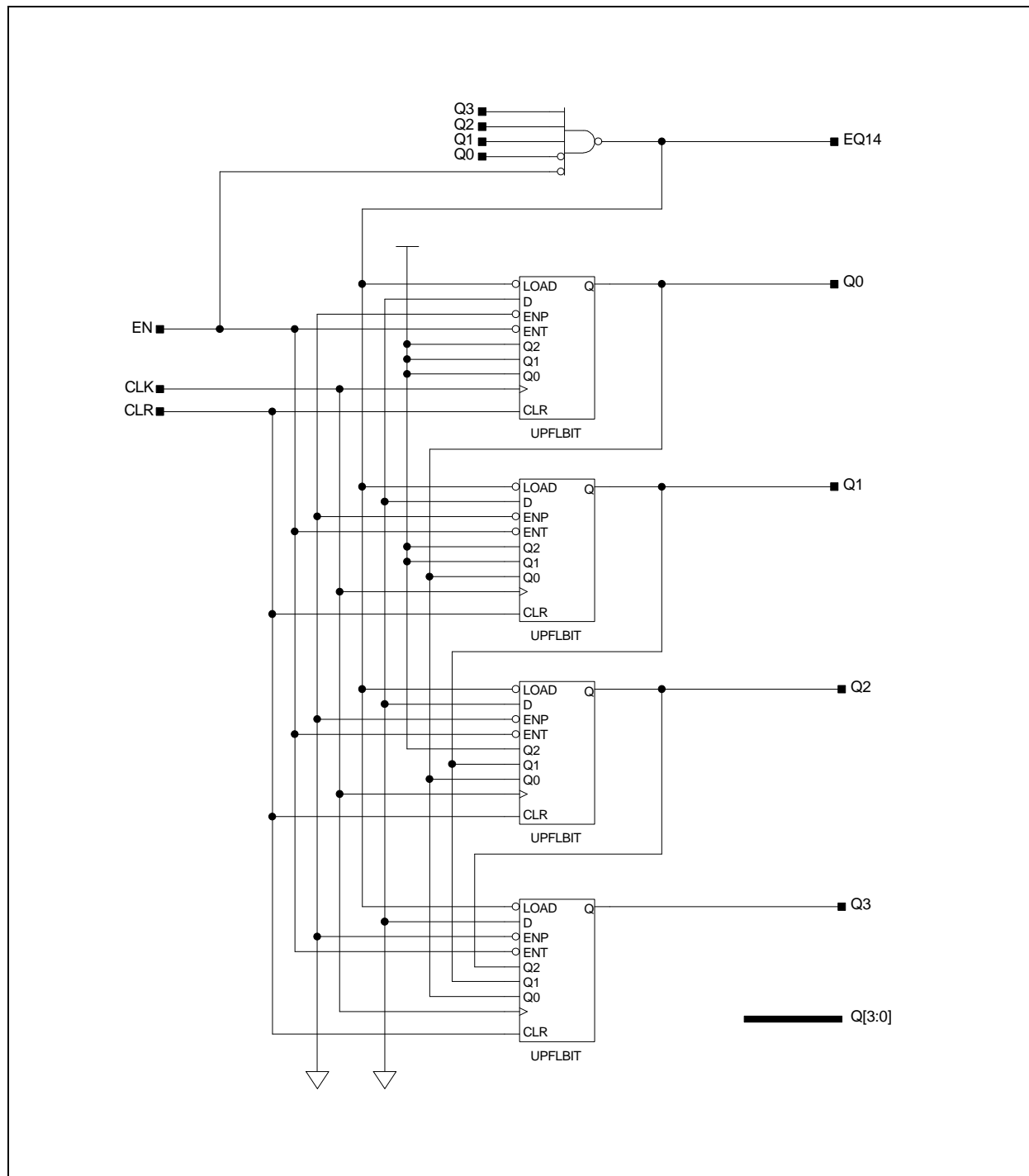


DRAM Controller FPGA Schematics—Sheet 15





Component CNTR4B Schematic



Component CNTR4D15 Schematic